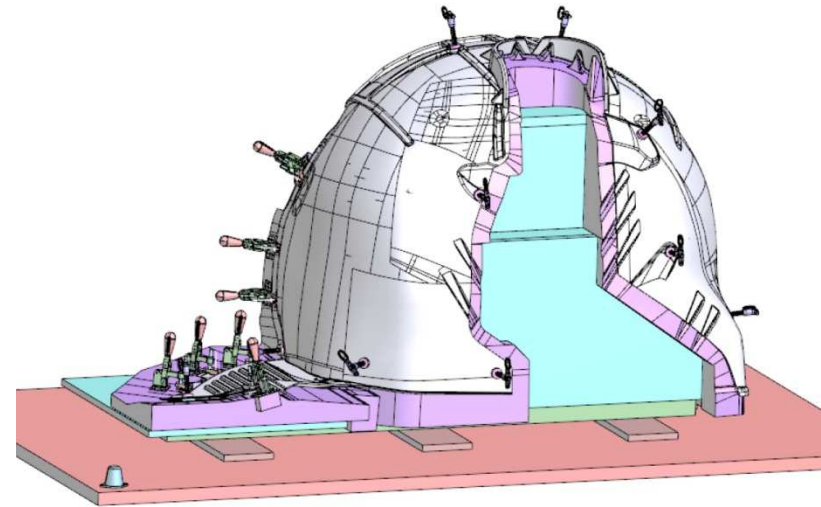
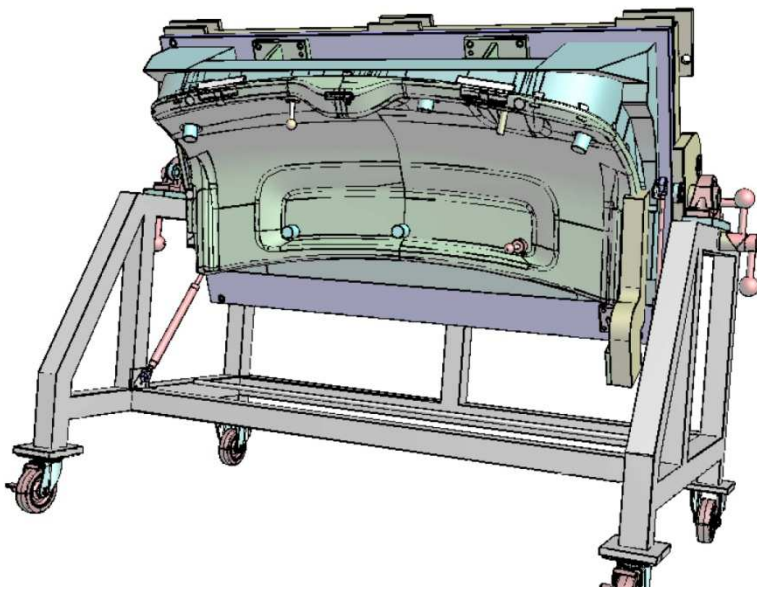




# ***TRI-STAR ENGINEERING***



- VISI fixture design software
  - 3D active PDF files for design reviews
- Mechanical Desktop
- AutoCad Autodesk/Inventor